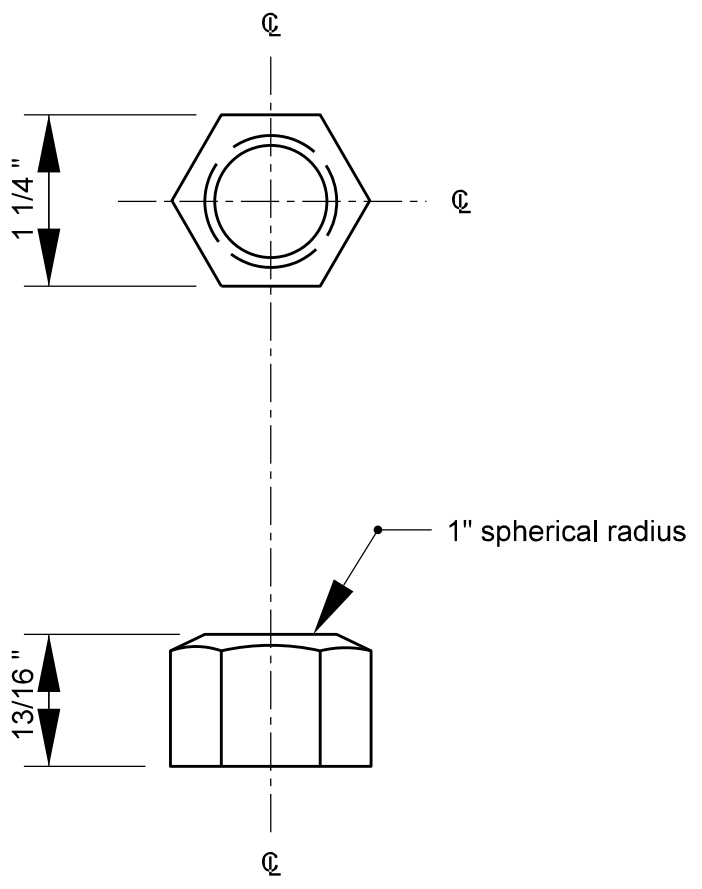


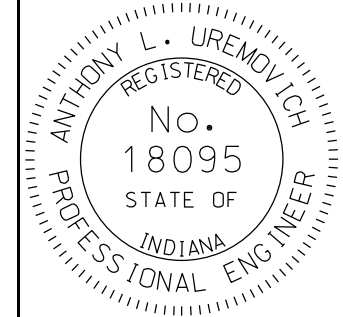
**GALVANIZED
HOOK BOLT AND NUTS**



GENERAL NOTES

1. Hook bolts and anchor straps shall be used at both upstream and downstream ends of all C.A., C.S., and structural plate pipes and pipe diameter or span of 84" or greater.
2. See Standard Drawing E 715-PASD-01 for anchor strap details.

INDIANA DEPARTMENT OF TRANSPORTATION	
PIPE ANCHOR HOOK BOLT DETAILS	
STANDARD DRAWING NO.	E 715-PAHB-01
APRIL 1995	
DETAILS PLACED IN THIS FORMAT ON 7-27-95	
/s/ Anthony L. Uremovich	7-27-99
DESIGN STANDARDS ENGINEER	DATE
/s/ Firooz Zandi	7-27-99
CHIEF HIGHWAY ENGINEER	DATE



DESIGN STANDARDS ENGINEER